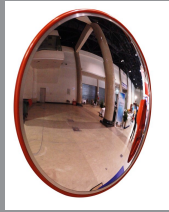
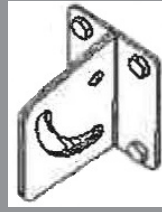


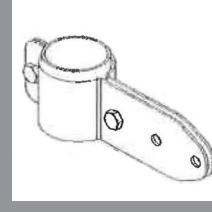
Parts Supplied:



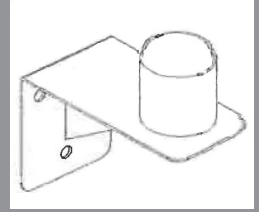
1 x Mirror



2 x Right Angle Mirror Brackets & Bolts

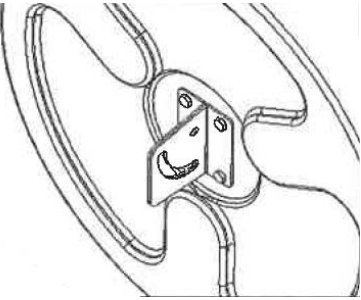
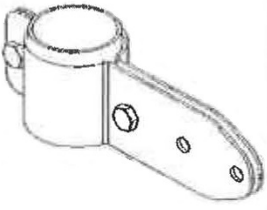
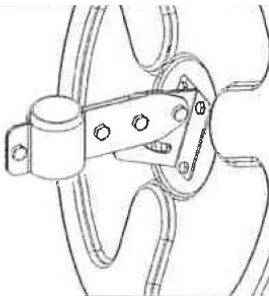


1 x Pole Mount Clamp Set & Fixings

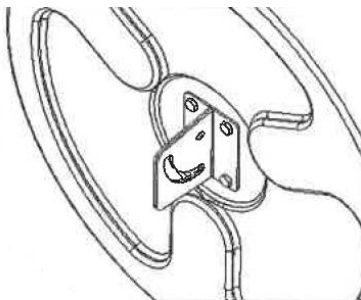
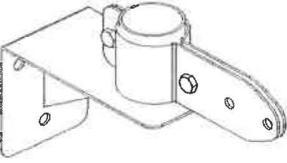
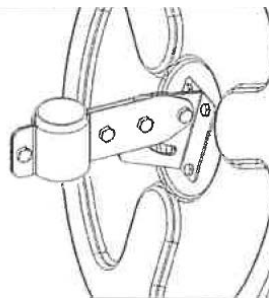


1 x Wall Mount Bracket

Mounting to Pole: *(Note: Wall Mount Bracket not required)*

<p>1. </p> <p>Bolt the 2 Right Angle brackets to back of mirror. Ensure 'arc slot' faces down.</p>	<p>2. </p> <p>Fix Pole Mount Clamp Brackets to desired position on your chosen pole.</p>	<p>3. </p> <p>Attach Mirror with Right Angle Brackets, to the Pole Mount Clamp Bracket.</p>	<p>4. Adjust to desired position and tighten all fixings. Remove protective film from the face.</p>
--	--	--	---

Mounting to Wall:

<p>1. </p> <p>Bolt the 2 Right Angle brackets to back of mirror. Ensure 'arc slot' faces down.</p>	<p>2. </p> <p>Fix Wall Mount Bracket to wall using suitable fixing hardware (ie. screws, bolts). Fix Pole Mount Clamp Brackets to Wall Mount Bracket</p>	<p>3. </p> <p>Attach Mirror with Right Angle Brackets to the Clamp Bracket.</p>	<p>4. Adjust to desired position and tighten all fixings. Remove protective film from the face.</p>
---	---	---	---

Care: Mirror can be cleaned with a soft damp cloth using gentle pressure. We recommend only using water to clean the lens.