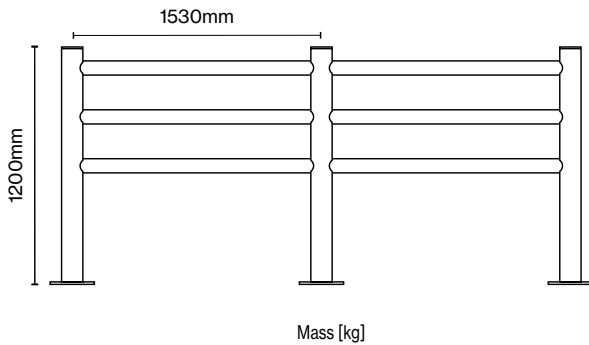


Flexible Barrier - Pedestrian



d-flexx Pedestrian Barrier is used along walkways where pedestrian guidance and segregation is advised.

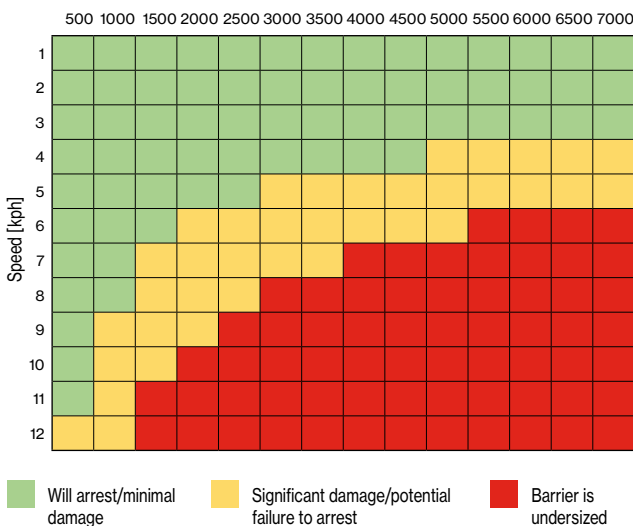
d-flexx Pedestrian Barrier



d-flexx Pedestrian Barrier is a certified, shock-absorbent and highly impact-resistant safety barrier.

Three pedestrian rails make this a simple yet effective barrier to separate people from light vehicles and machinery, and prevent pedestrians from walking into dangerous traffic areas.

- Absorbs energy on impact then returns to its original shape
- Made from a flexible, impact-resistant PE polymer
- 100% recyclable, UV-resistant and suitable for indoor and outdoor use
- Pedestrian Barrier stops 5T at 5.7km/h
- Tested and certified by German TÜV NORD (DIN EN 1512) Exceeds AS/NZ 1170.1:2002 (Type G)



5

year
Warranty

Made in Denmark

CODE	DESCRIPTION
DFFS	d-flexx Pedestrian Barrier

Fasteners included.