

115mm Steel In-ground Bollard.



Suggested Uses.

- Property and asset protection.
- Retail store-front protection from rogue vehicle impacts

Benefits.

- Made in New Zealand with 10 Year Warranty
- UV Stabilised Powdercoat
- Black domed cap can be removed to allow the bollard to be filled with concrete.

Specifications.

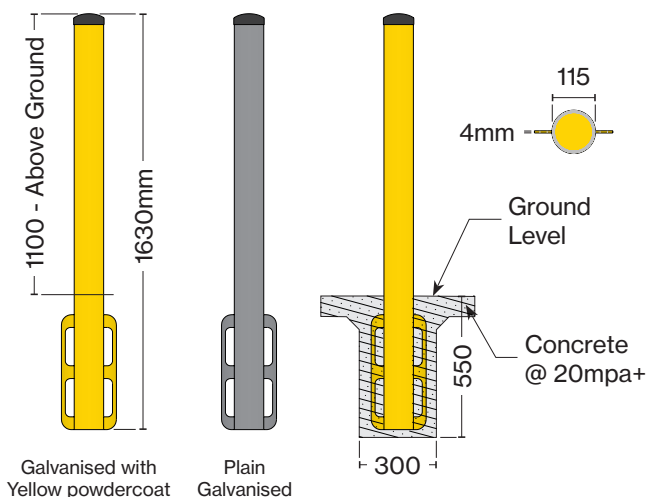
Code	49-IG115
Description	115mm Steel Inground Bollard
Material	Hot Dipped Galvanised Steel
Height	1630mm (1100mm above ground)
Diameter	115mm
Weight	21kg
Wall Thickness	4.5mm

Codes.

49-IG115G	Inground Bollard - Plain Galvanised
49-IG115GY	Inground Bollard - Galvanised with Yellow Powdercoat

Installation.

Cut or core drill minimum 300mm diameter and 550mm deep hole, place bollard in hole, fill with concrete 20mpa or higher.



Scan here to view the webpage.

