

Flat Nose Skate Deterrent.



Suggested Uses.

- Deter skateboarding on long edge street furniture

Benefits.

- Eliminates potential damage caused to property and architecture by skateboards, bicycles and skates.
- Manufactured from flat-profiled anodised aluminium to suit square edge and rolled edge landscape walls and steel or aluminium bench seating.

Useful Tip.

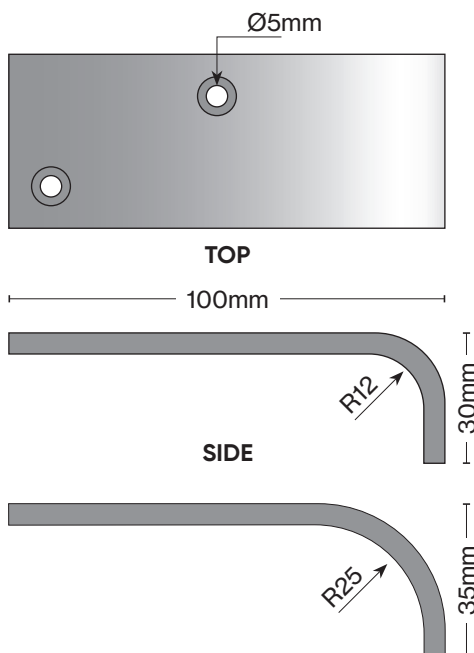
Suggested spacing is 500-600mm between each Skate Deterrent

Specifications.

Code	12-SDFN
Description	Flat Nose Skate Deterrent
Material	Anodised Aluminium
Width	5mm
Length	100mm
Stud Height Above Ground	5mm
Fixings	2
Pack Qty	10 units

Codes.

12-SDFN-12	Flat Nose Skate Deterrent 12mm Internal Radius
12-SDFN-25	Flat Nose Skate Deterrent 25mm Internal Radius



Scan here to view the webpage.

