



Suggested Uses.

- Deter skateboarding on long edge street furniture

Benefits.

- Eliminates potential damage caused to property and architecture by skateboards, bicycles and skates.
- Manufactured from polished marine grade 316 stainless steel to suit square edge and rolled edge landscape walls and other ledges.
- Electro polished finish

Useful Tip.

Suggested spacing is 500-600mm between each Skate Deterrent

Specifications.

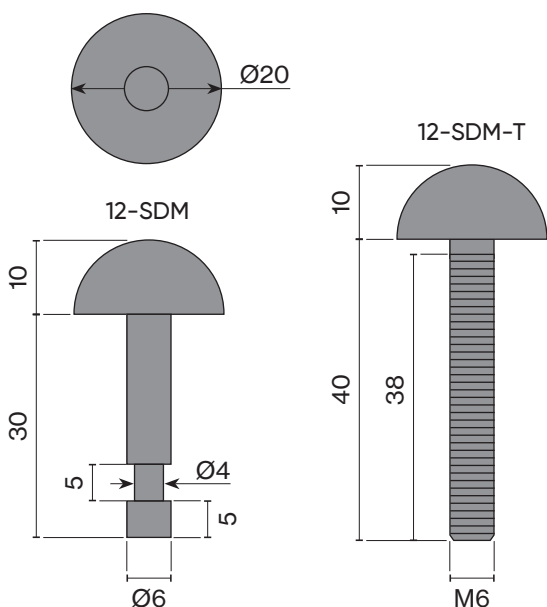
Code	12-SDM
Description	Mushroom Stud Skate Deterrent
Material	316 Stainless Steel
Stud Height Above Ground	10mm
Stud Diameter	20mm
Stem Diameter	6mm
Pack Qty	10 units
Fixings	1 tube adhesive per 20 units installed

Codes.

12-SDM	Mushroom Stud Skate Deterrent Glue Fixed
12-SDM-T	Mushroom Stud Skate Deterrent Bolt On (no fixings required)

Fixings.

49-AF3001	Anchorfix Adhesive - 300ml Tube
-----------	---------------------------------



Scan here to view
the webpage.

