

Square Faced Skate Deterrent.



Suggested Uses.

- Deter skateboarding on long edge street furniture and steps.

Benefits.

- Eliminates potential damage caused to property and architecture by skateboards, bicycles and skates.
- Manufactured from polished marine grade 316 stainless steel to suit square edge and rolled edge landscape walls and other ledges.
- Electro polished finish

Useful Tip.

Suggested spacing is 500-600mm between each Skate Deterrent

Specifications.

Code	12-SDSF
Description	Square Faced Skate Deterrent
Material	316 Stainless Steel
Width	16mm
Length	120mm
Height	42mm (12mm above ground)
Stem Height	30mm
Stem Diameter	6mm
Pack Qty	10 units
Fixings	1 tube adhesive per 20 units installed

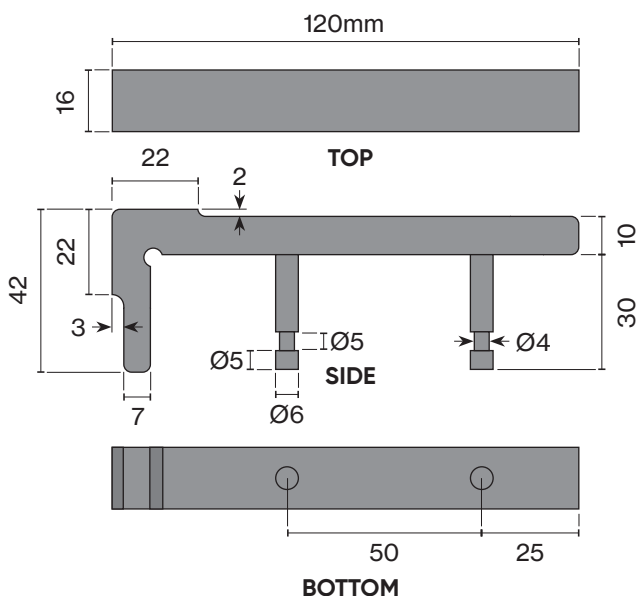
Fixings.

49-AF3001	Anchorfix Adhesive - 300ml Tube
-----------	---------------------------------

Installation.

Concrete Surface & Timber Surface:

Drill 8mm hole in substrate. Half fill hole with suitable Epoxy Adhesive. Position skate deterrent and leave undisturbed till Epoxy has set.



Scan here to view
the webpage.

