

1

2

3

4

5

6

A

A

B

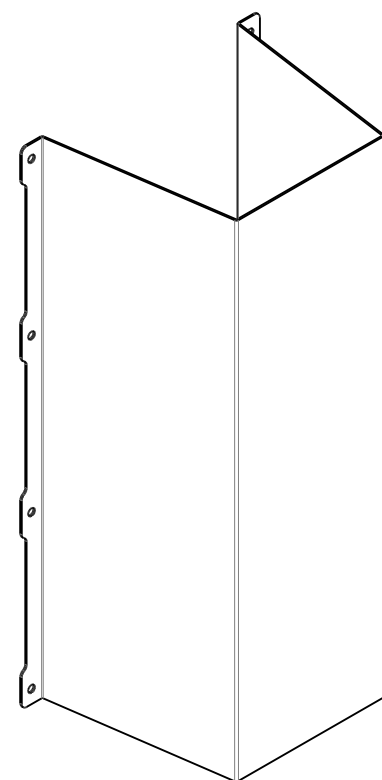
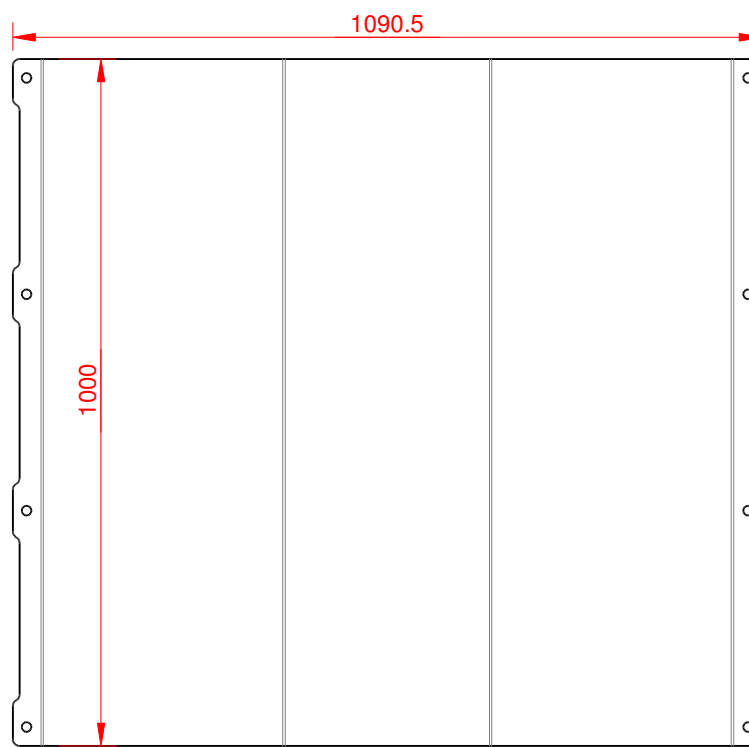
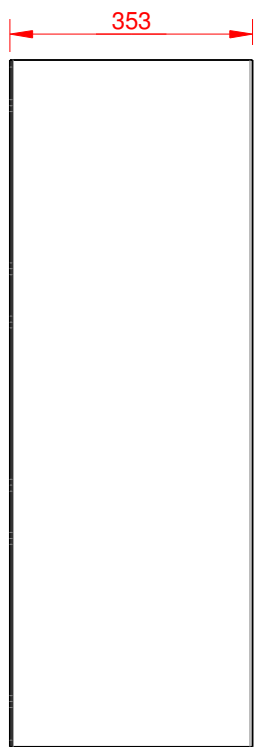
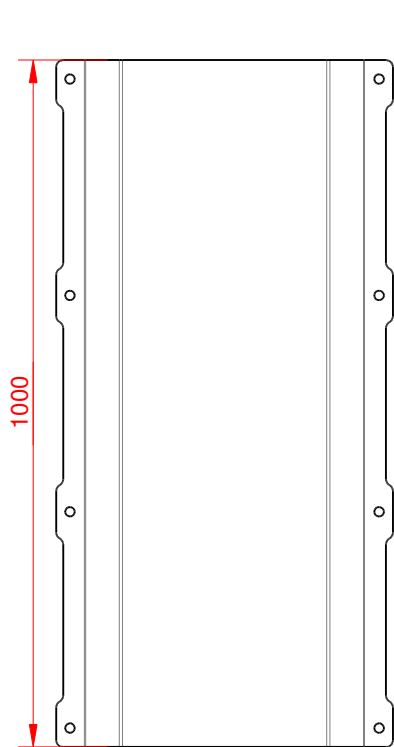
B

C

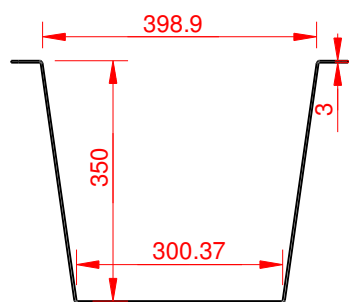
C

D

D



Weight: 25.36 kg



Drawn by Tristan Stanners	Checked by Mark Taylor	Date 14-4-23	Scale NTS - A4 L
<small>THIS DRAWING IS INTELLECTUAL PROPERTY OF:</small> TRU-BILT [®] INDUSTRIES <small>20 Townleys Rd, Dunedin, New Zealand</small> <small>All product designs are subject to copyright and cannot be copied in whole or part.</small>		DOW-S - Single Piece Downpipe Protector Tru-Gard	
		Edition 1.0	Sheet -

1

2

3

6