

Mezzanine Safety Gate - Type 201.



Suggested Uses.

- Edge protection where access is required for loading or unloading pallets on mezzanine floors and raised loading docks.

Benefits.

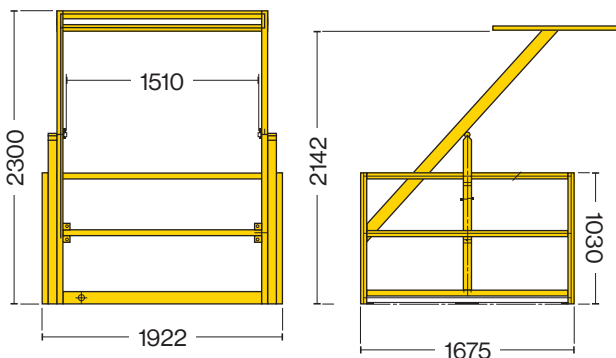
- Mezzanine Rollover Safety Gates solve the challenge of leaving a mezzanine floor with no edge protection when moving pallets on and off.
- Gate pivots open to receive a pallet, and the operator then rolls the gate over to safely remove pallets from the loading area.
- This mechanism eliminates the risk of falls throughout the process.
- Easy to install modular design has no pinch-points and is available in multiple sizes
- Compliant with Standard AS 1657:2018

Specifications.

Code	49-MSGDV201
Description	Mezzanine Safety Gate - Type 201
Material	Steel with Yellow Powdercoat
Height	2300mm
Width	1922mm
Depth	1675mm
Weight	136kg
Fixings	12x M12x50 set screws supplied
Max Pallet Size	1400 (w) x 1250 (d) x 1800mm (h)

Fixings.

49-CF10	M10 x 75mm Anka Bolt
---------	----------------------



Scan here to view
the webpage.

