

## Suggested Uses.

- For high traffic areas where painted markings and signage do not last.
- Use a proximity sensor display markings or signage when vehicles are present in the area.
- Hide pedestrian walkways in front of roller doors when a roller door is opened by connecting the projector to the door switch.

## Benefits.

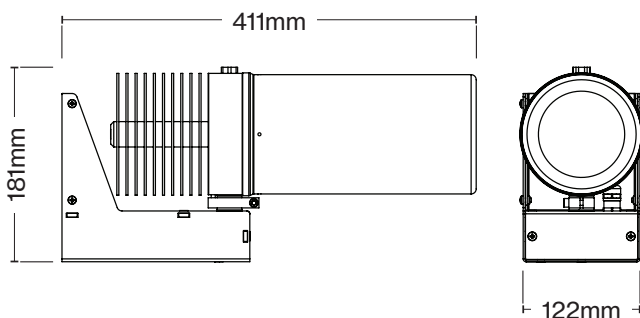
- Highly visible on a variety of surfaces, projected image will never wear off and is visible in any lighting
- Maximum flexibility for dynamic environments. The Gobo image inside the projector can be easily changed between signage, pedestrian crossings and much more.
- Can be activated by wired proximity sensor or switch
- Durable dust & rain proof design with IP65 rating and tested to work from +50 ° to -30°
- Up to 6 years of continuous use - 24 hours a day for 365 days a year.
- Manufactured in Italy and uses high quality Japanese CITED COB LEDs for light source

## Specifications.

Code	49-PM75
Description	Signum LED Signage Projector
Material	Aluminium casing with RAL 9005 black powdercoat
Size	411mm x 122mm x 181mm
Weight	6kg
IP Rating	IP65
LED Lifespan	50,000 hours
Projection Type	Markings & Signage
Projection Distance	Up to 10m
Projection Ratio	8:25 (10m mounting height will project 3.2m image)
Power	75W - 10A 240V Power Supply
Total Lumen Output	4,900 Lumens
Colour Temperature	6,000 °K

## Codes.

49-PM75	LED Projector - 75W with 90mm Lens
49-PMG	Interchangeable Gobo Images
49-PML56	56mm Lens - Mounting under 6m
49-PML90	90mm Lens - Mounting 6-10m high



**GOBOSERVICE**  
Gobo and Projectors 100% made in Italy



Scan here to view  
the webpage.

