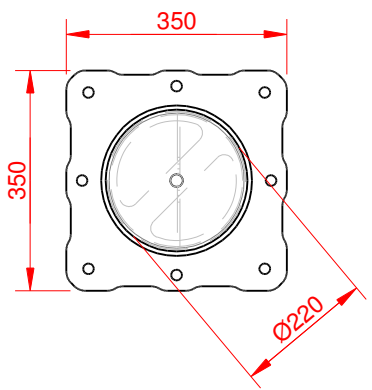
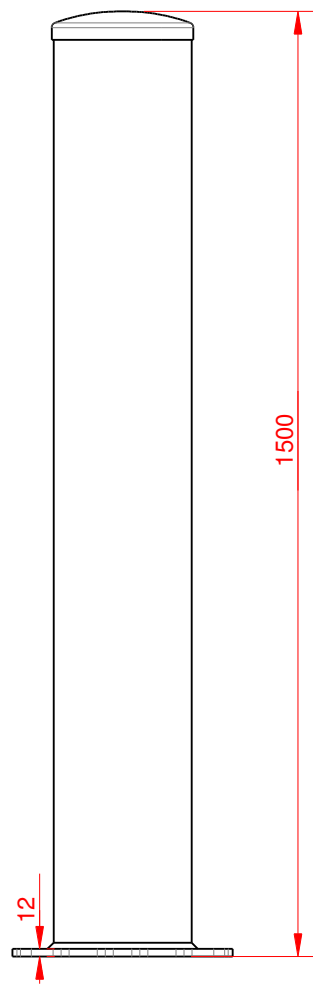
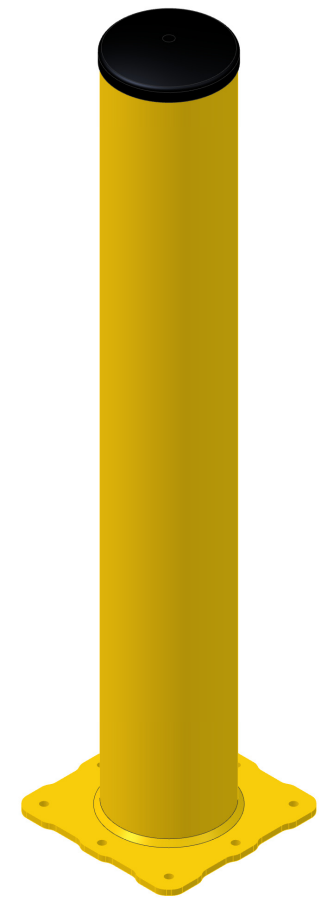


1 2 3 4 5 6

A
B
C
D



Specifications:
 12mm Baseplate
 8 x Fixing holes to suit M12 Screwbolts
 220mm OD
 1500mm Overall Height
 Available in Y, G or GY Coating system
 Black ABS Cap



A
B
C
D



Drawn by Tristan Stanners	Checked by Mark Taylor	Date 10-01-2023	Scale NTS - A4 L
<small>THIS DRAWING IS INTELLECTUAL PROPERTY OF:</small> TRU-BILT [®] INDUSTRIES <small>20 Townleys Rd, Dunedin, New Zealand</small> <small>All product designs are subject to copyright and cannot be copied in whole or part.</small>		XLB220-Y/G/GY Specifications	
TRU-GARD		Edition 1.0	Sheet -

1 2 3 4 5 6