



Suggested Uses.

- Pedestrian pause gate to match d-flexx barrier system
- Force pedestrians to pause before walking into hazardous areas where forklifts and other vehicles are operating

Benefits.

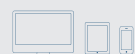
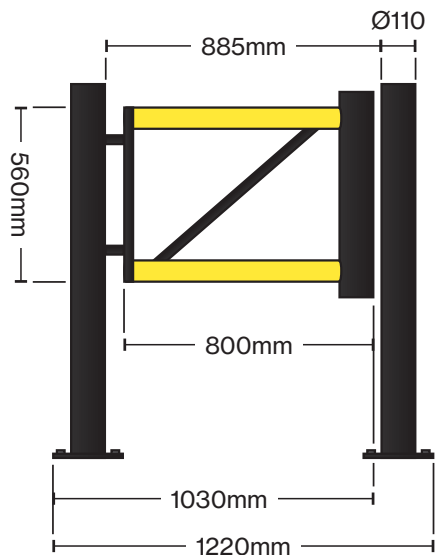
- Made from a flexible, impact-resistant PE polymer that is 100% recyclable, and can be used in sterile or food safe environments
- UV-resistant and suitable for interior/exterior use
- Hinge design allows the gate to be installed as either a regular one-way pause gate or as a bidirectional gate.
- Tested and certified by German TÜV NORD (DIN EN 1512) Exceeds AS/NZS 1170.1:2002 (Type G)

Specifications.

Code	DFJU-DA800
Description	d-flexx Pedestrian Gate
Material	PE based Flexible Polymer
Width	800mm
Post Height	1200mm
Base Plate	225mm x 225mm x 10mm
Chemical Resistance	High - ISO/TR 10358
Temp. Range	from -10° up to +50° Celsius

Codes.

DFJU-DA800	d-flexx Pedestrian Gate
DFFS-B110	110mm dia Pedestrian Gate Post



Scan here to view the webpage.

