

Suggested Uses.

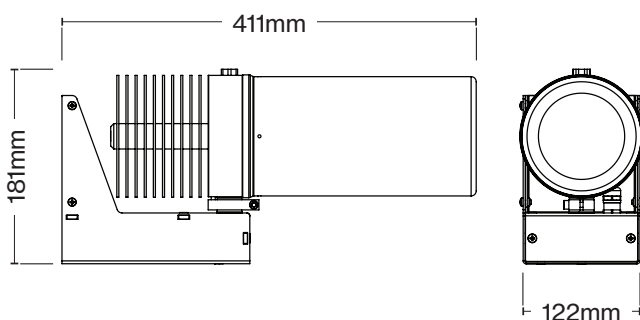
- For high traffic areas where painted lines do not last.
- Use a proximity sensor to hide pedestrian walkways when vehicles are present in the area.

Benefits.

- Highly visible on a variety of surfaces, projected image will never wear off and is visible in any lighting
- Can be activated by wired proximity sensor or switch
- Maximum flexibility for dynamic environments.
- Durable dust & rain proof design with IP65 rating and tested to work from +50 ° to -30°
- Up to 6 years of continuous use - 24 hours a day for 365 days a year.
- Manufactured in Italy and uses high quality Japanese CITELED COB LEDs for light source

Specifications.

Code	49-PL75
Description	Signum LED Line Projector
Material	Aluminium casing with RAL 9005 black powdercoat
Size	411mm x 122mm x 181mm
Weight	6kg
IP Rating	IP65
LED Lifespan	50,000 hours
Projection Type	Line
Projection Distance	Up to 10m
Projection Ratio	1:50 (10m mounting height = 10m(L) x 200mm(W) line).
Power	75W - 10A 240V Power Supply
Total Lumen Output	3,400 Lumens
Colour Temperature	6,000 °K
Line Colours	Blue, Yellow, Green, Orange
Code	49-PM7590
Description	LED Projector – 75W + 90mm Lens
Projection Distance	Use if mounting over 6 metres high
Code	49-PM7556
Description	LED Projector – 75W + 56mm Lens
Projection Distance	Use if mounting over 6 metres high



Scan here to view the webpage.

