

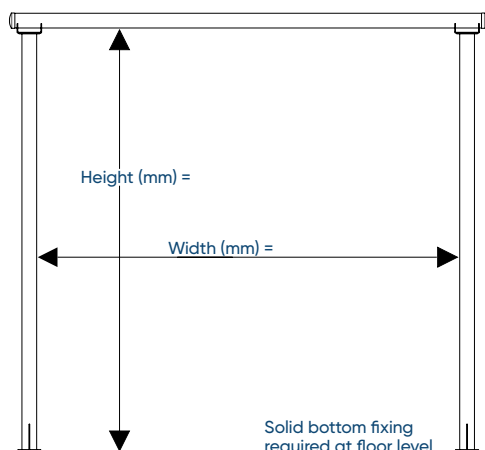
Site Details

Company Name:		Date:	
Delivery Address:			
Customer Reference/Order Number:			
Contact Name:		Phone:	
Site Photos Provided:	Yes	No	Completed By:

Door Frame Bollard Requirement

On the drawing below, enter the height and width of the required bollard.

NB: The bollard will be built to the size indicated. Vanguard recommends the bollard width to be 100mm less than the door/track width, and the bollard height to be 50mm less than the door/lintel height.



Diameter:

115mm

165mm

Finish:

Yellow

Galvanised

Yellow over galvanised

Quantity:

Proposal Acceptance

If you wish to proceed with this proposal/order and agree with Vanguard terms of trade, please complete your order number and sign this enquiry form, then scan and return to Vanguard with your signed proposal. Thank you.

Proposal Number:	Order Number:
Name:	Date:
Signature:	

Return this form to us to;

Place your order, or

Request a price.