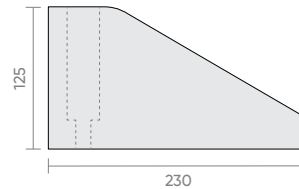


TECHNICAL SPECIFICATIONS

Rubber Kerb Blocks

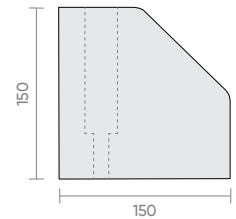
- Modular:** Range of modules available for easy customisation. Modules can be cut to suit your design. Available in two profiles – semi-mountable and semi-barrier.
- Height:** Semi-mountable are 125mm high; semi-barrier are 150mm high.
- Width:** Semi-mountable are 230mm wide; semi-barrier are 150mm wide.
- Material:** Heavy-duty, recycled rubber
- Fixings:** Coach screws (set including 3 x screws, washers and plugs); rubber caps for fixing holes; 'Dog Bone' Connectors for Semi-Barrier modules only; Ø30mm fixing hole
- Weight:** 27kg ea

Semi-Mountable Profile

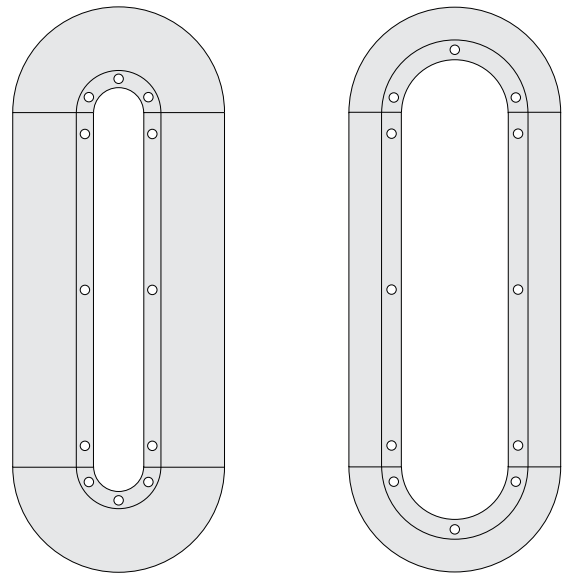


Basic Configuration Example

Semi-Barrier Profile



Basic Configuration Example



Components

Code	Description	
1413-001	Semi-Mountable	Radius 500mm
1413-002	Semi-Mountable	Radius 300mm
1413-003	Semi-Mountable	Straight 1000mm
1413-004	Semi-Mountable	Radius 1000mm
1413-009	Semi-Barrier	Straight 1000mm
1413-010	Semi-Barrier	Radius 1000mm
1413-011	Semi-Barrier	Radius 500mm
1413-012	Semi-Barrier	Radius 300mm

Code	Fixings
1413-006	Rubber Cap for Fixing Holes (2-3 per Module Required)
1413-007	For Asphalt/Bitumen/Chipseal/Concrete: Fixing Set = 3 x M10 x 120mm Coach Screw with Washer and M14 Nylon Plug (1 Set per Module, Supplied)
1413-008	'Dog Bone' Connector (Semi-Barrier Modules Only)

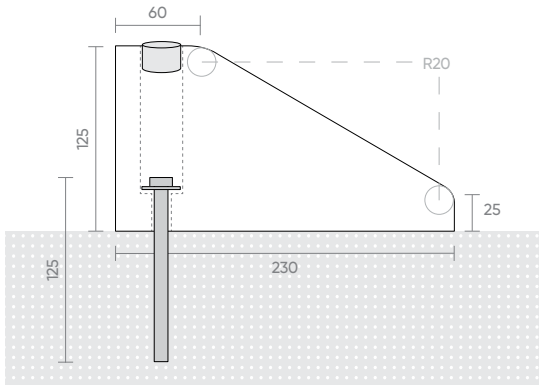
VIEW ONLINE



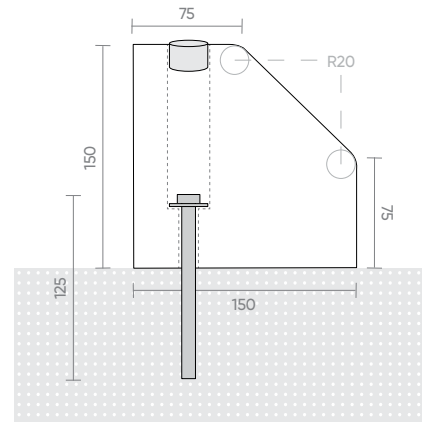
TECHNICAL SPECIFICATIONS

Rubber Kerb Blocks

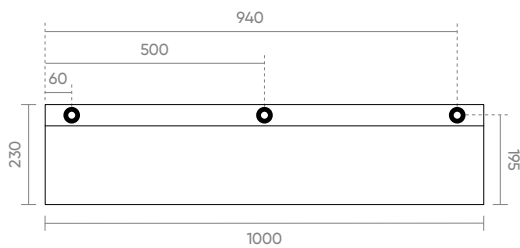
Semi-Mountable Profile



Semi-Barrier Profile

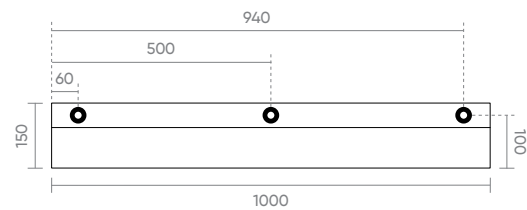


Semi-Mountable Modules

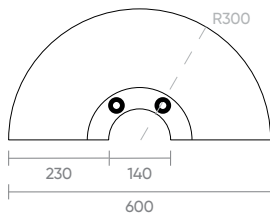


1413-003
Straight 1000mm

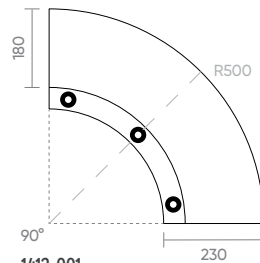
Semi-Barrier Modules



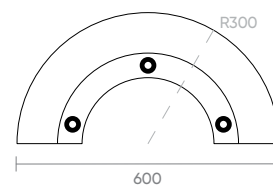
1413-009
Straight 1000mm



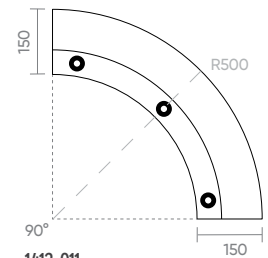
1413-002
Radius 300mm



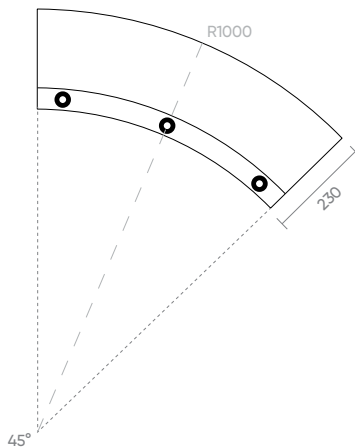
1413-001
Radius 500mm



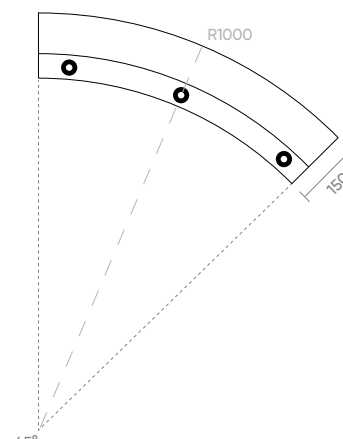
1413-012
Radius 300mm



1413-011
Radius 500mm



1413-004
Radius 1000mm



1413-010
Radius 1000mm